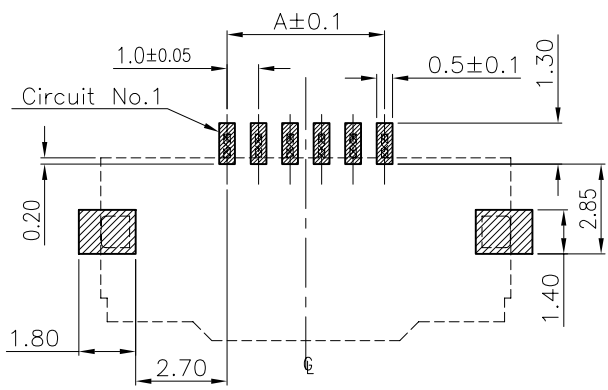
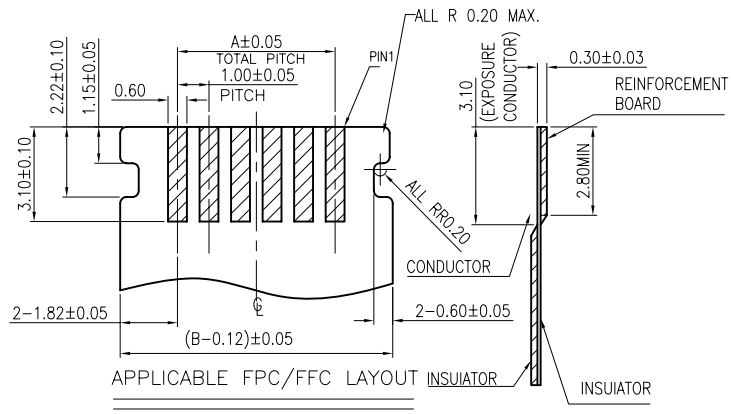




A B C D E F



RECOMMENDED PCB LAYOUT
(GENERAL TOLERANCE ±0.05)

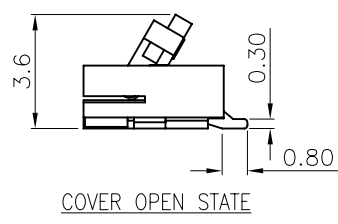
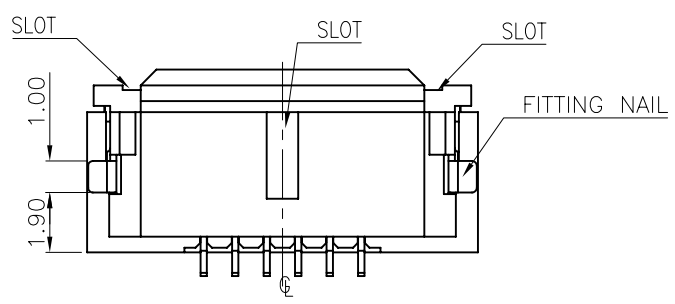
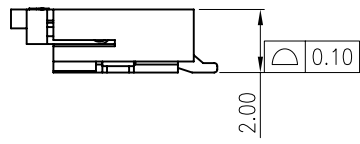
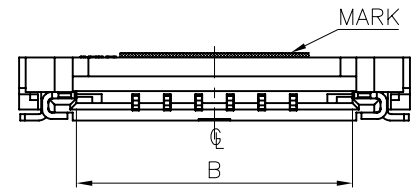
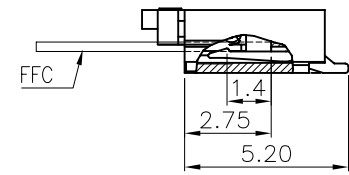
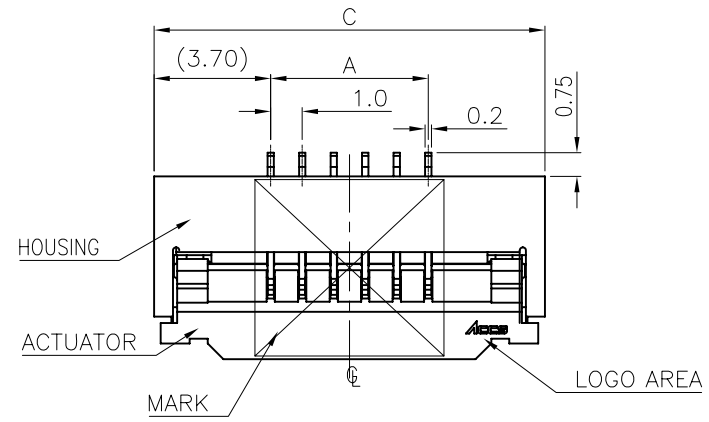
- NOTES:
- MATERIAL:
 - HOUSING: THERMOPLASTIC, HIGH TEMP, UL94V-0; COLOR:WHITE.
 - CONTACT: COPPER ALLOY.
 - FITTING NAIL: COPPER ALLOY.
 - ACTUATOR: THERMOPLASTIC, HIGH TEMP, UL94V-0; COLOR:BLACK.
 - FINISH:
 - CONTACT: 1:1u"MIN GOLD FLASH PLATING. 50~100u" NICKEL UNDERPLATING OVERALL.
 - FITTING NAIL: 100~200u" MATT TIN PLATING OVERALL(LEAD FREE) 50~100u" NICKEL UNDERPLATING OVERALL.
 - REFLOW SOLDER CAPABLE TO 260°C PER ACES SPEC.
 - SPEC. PLS. REFER TO PS-51503-XXXX-XXX.
 - PACKAGE PLS. REFER TO 51581-XXXX-XX-TRP.
 - PART NUMBER

51581-XXX X X- XXX

XXX	HOUSING COLOR	ACTUATOR COLOR	PACKAGE	HALOGEN FREE
001	WHITE	BLACK	51581-XXXXR-XX	HF

NO OF CKTS ————
 PACKING ————
 0:TAPE & REEL
 1:TUBE
 4: TAPE & REEL WITH MYLAR

PLATING
 1: GOLD FLASH



CKTS	DIMA	DIM B	DIM C
04	3.0	6.76	10.4
06	5.0	8.76	12.4

一般公差 TOLERANCES X. ±0.5 .XX ±0.15 .X ±0.25 .XXX ±0.1 ANGLES ±2°		宏致電子股份有限公司 Aces Electronics Co.,Ltd.	
檢驗尺寸標示 SYMBOLS Ⓢ Ⓣ INDICATE CLASSIFICATION DIMENSION Ⓢ MARK IS CRITICAL DIM. Ⓣ MARK IS MAJOR DIM.	品名 (TITLE) 1.0mm FPC EASY ON CONN. SMT R/A TYPE 圖號 (DWG.NO) 51581-XXXX-XXX	製圖 (DR) 13"/07/04 Wan.Bo 審核 (CHKD) Jerry 核准 (APPD) JASON	張數 (SHEET) 1 OF 1 SIZE A4 REV 0
表面處理 (FINISH)	比例 (SCALE) 4:1	單位 (UNITS) mm	

A B C D E F